



National
Qualifications
2019

X835/76/11

**Graphic Communication
Supplementary sheets**

TUESDAY, 21 MAY

1:00 PM – 3:30 PM

Supplementary sheets for use with questions 1 (b) (i) and (ii), 2 and 3 (d).

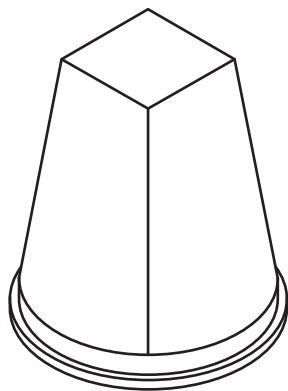


* X 8 3 5 7 6 1 1 *

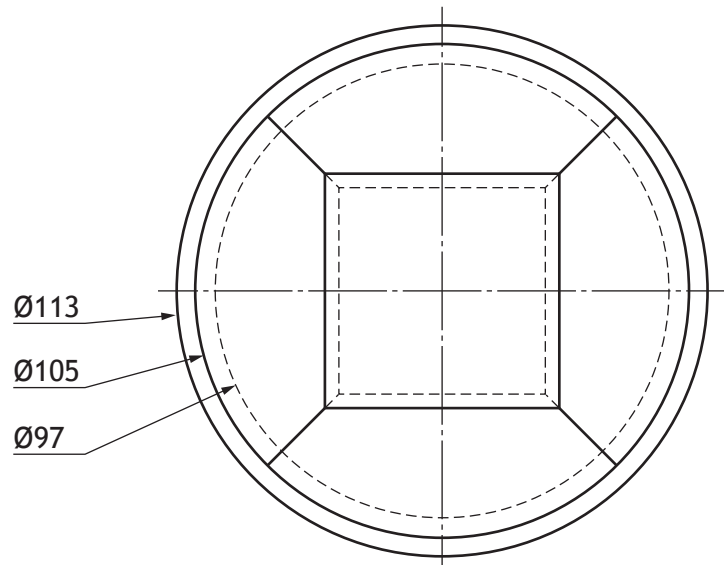
STAGE 1



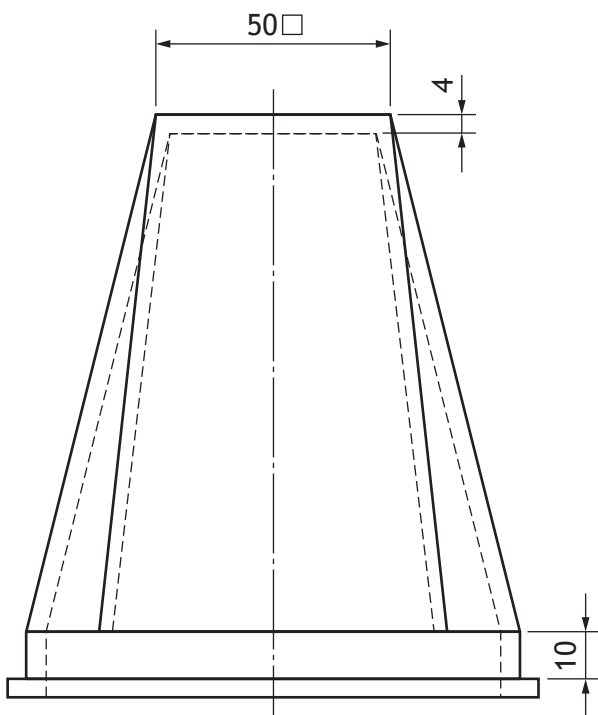
RENDERED ILLUSTRATION



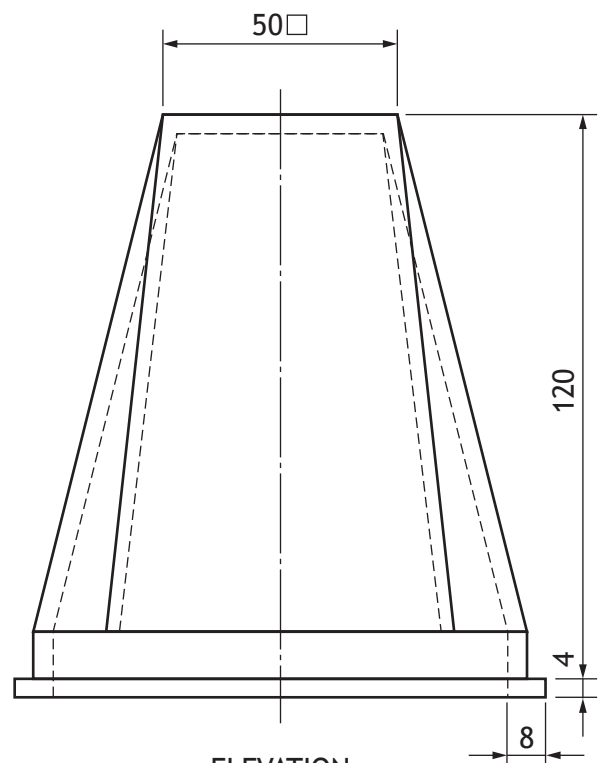
PICTORIAL VIEW



PLAN

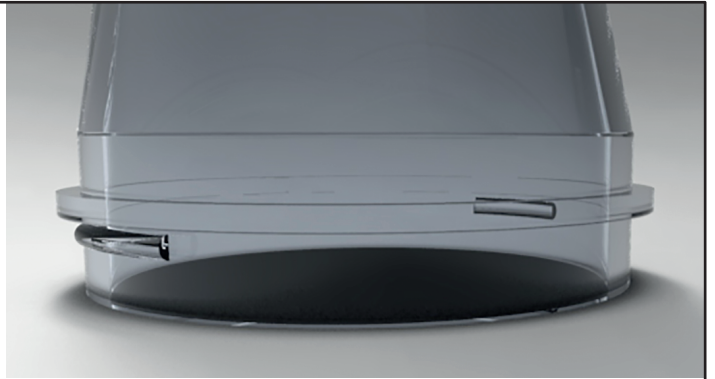


END ELEVATION

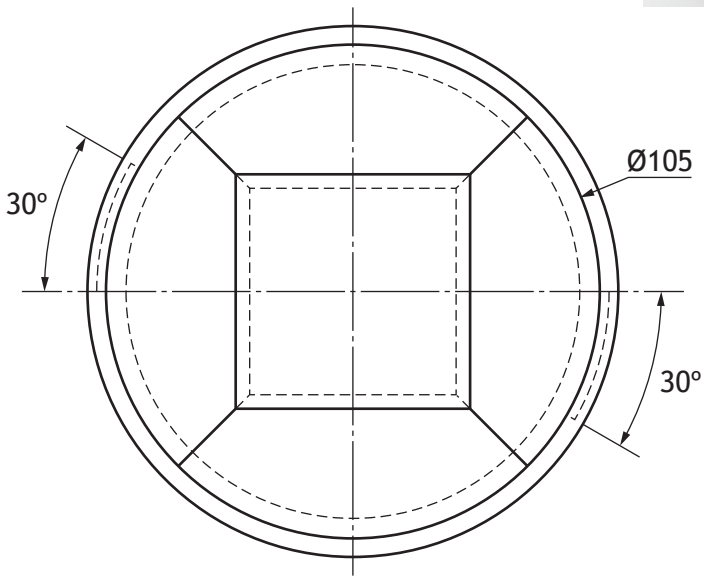


ELEVATION

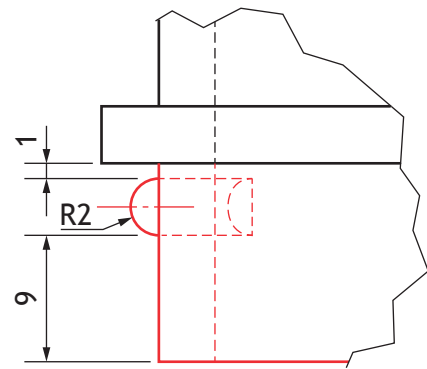
STAGE 2



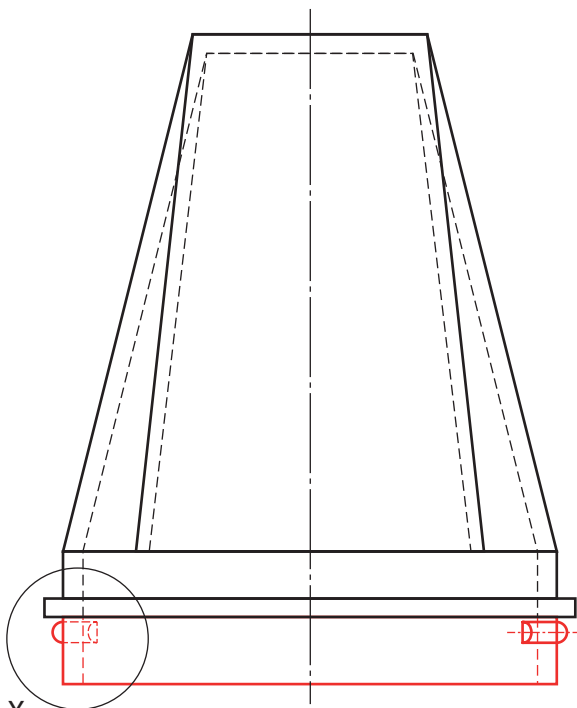
RENDERED ILLUSTRATION



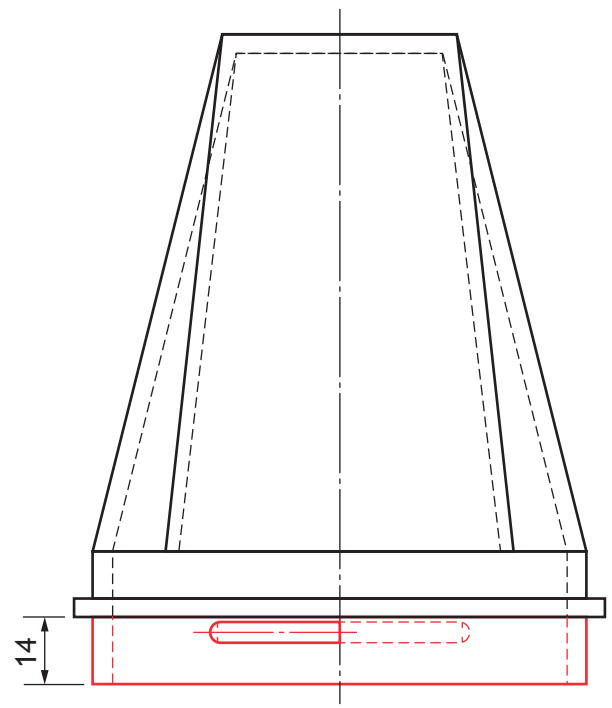
PLAN



ENLARGEMENT VIEW X



ELEVATION

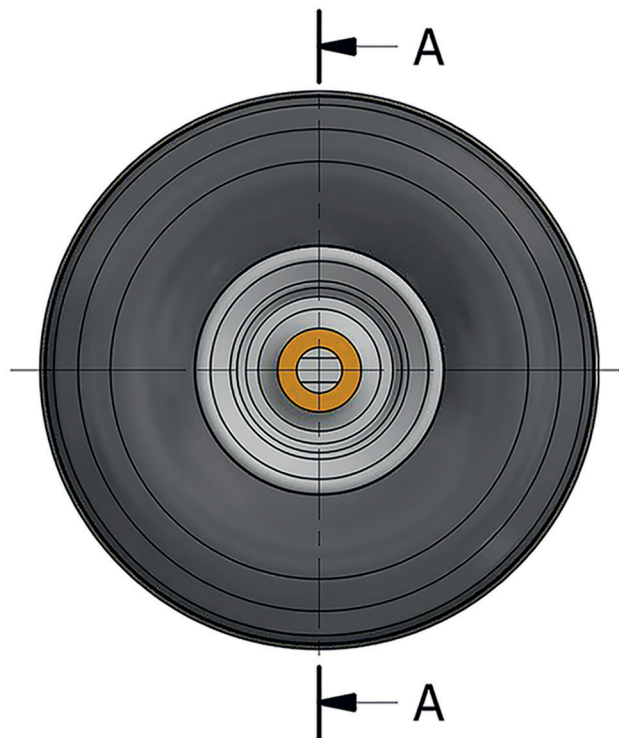
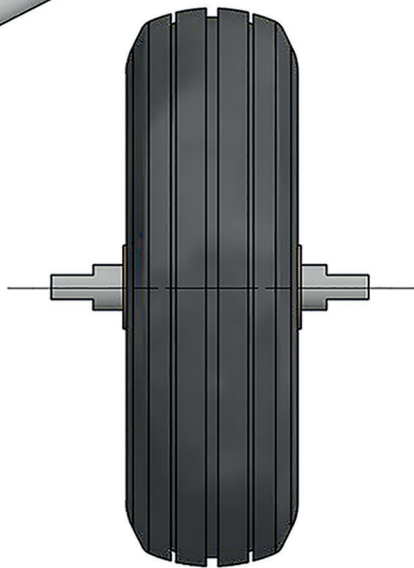
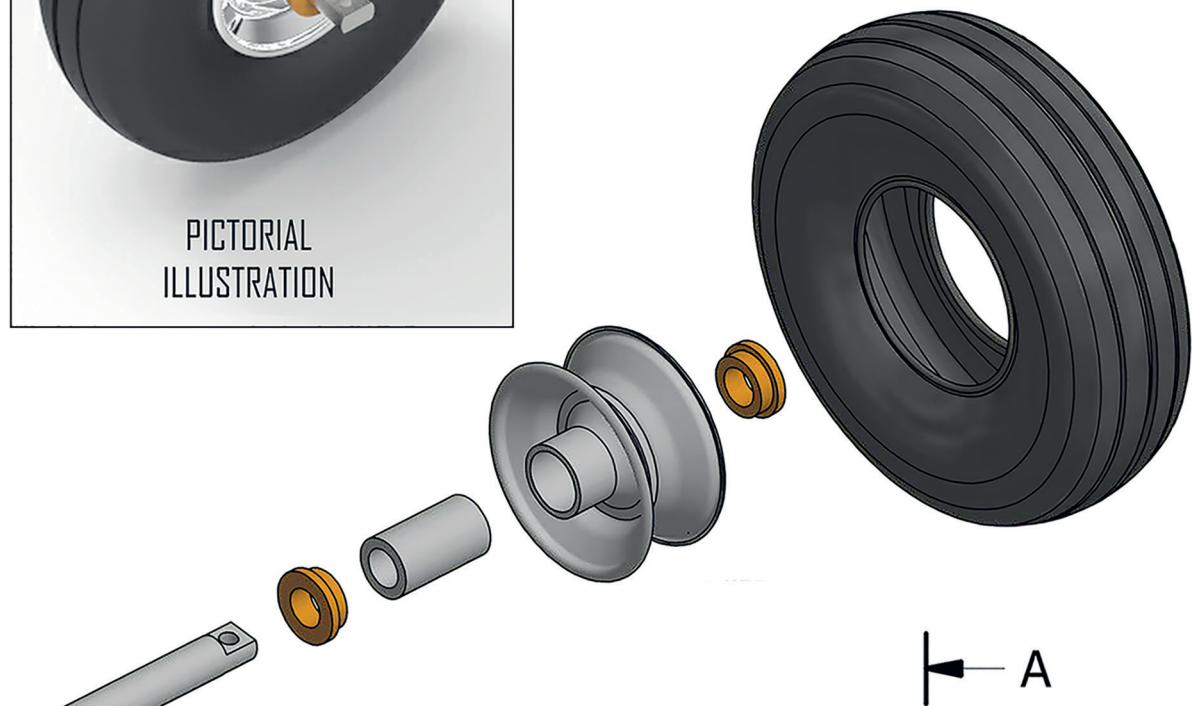


END ELEVATION

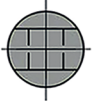
WHEEL ASSEMBLY



EXPLODED ILLUSTRATION



AXLE

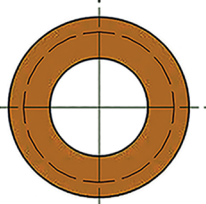


PLAN



ELEVATION

BUSH



ELEVATION

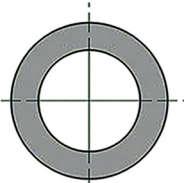


END ELEVATION

BEARING



ELEVATION

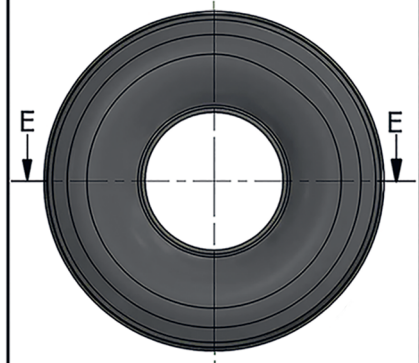


END ELEVATION

TYRE

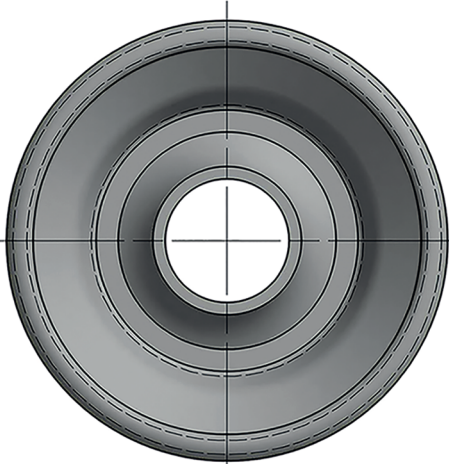


CROSS-SECTION E-E

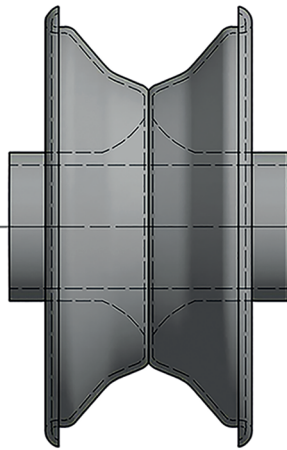


ELEVATION

WHEEL RIM



END ELEVATION




ELEVATION



PICTORIAL ILLUSTRATION

**SCOTLAND'S NEWEST
MUSIC FESTIVAL**



SCT RCK
SCOTLAND ROCKS

VIP SHUTTLE SERVICES
BOOK NOW!

**BRONZE
PACKAGE**

Pick up and collection from drop-off points. 100% guaranteed standing or seating space on the coach of your chosen booking time. Stewards on board all coaches to ensure you get home safely.

**SILVER
PACKAGE**


Pick up and collection from drop-off points in luxury modern coach with spacious seating guaranteed for all passengers. On board DJ to keep the party atmosphere going all the way home.

**GOLD
PACKAGE**

VIP pick up and drop-off from your own chosen location in our most modern and luxurious coach. Free food and drinks provided, and access to our corporate VIP area within the festival site.

STANDARD SHUTTLE SERVICE
NO BOOKING REQUIRED

**GLASGOW - SCOTROCK
SHUTTLE SERVICE**



SAT 30 & SUN 31 AUGUST		
First bus	Then	Last bus
07.15	Shuttle runs approximately every 15-20 minutes	18.15

FOR FURTHER INFO VISIT: WWW.SCTRCK.COM/TRAVEL

[BLANK PAGE]

DO NOT WRITE ON THIS PAGE

[BLANK PAGE]

DO NOT WRITE ON THIS PAGE

Acknowledgement of copyright

Question 3(d) ProfyArt/shutterstock.com